

Neutral Density Filter

Shortpass

Longpass

Bandpass

Neutral Density

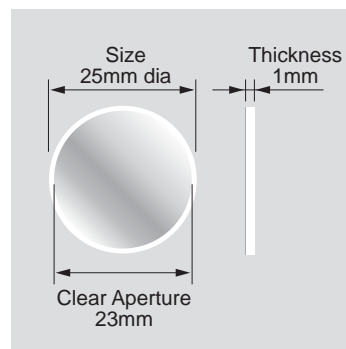
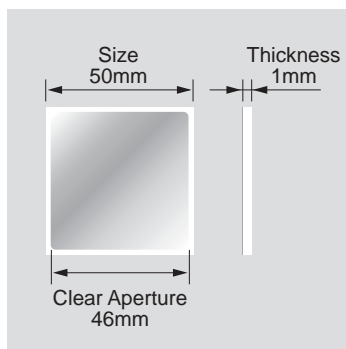
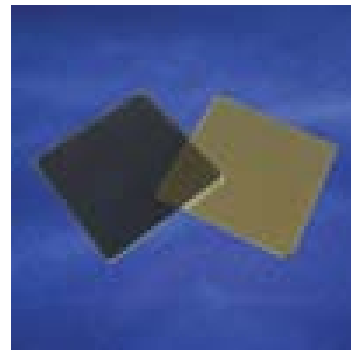
Mercury Line Emission

Super Cold

Others

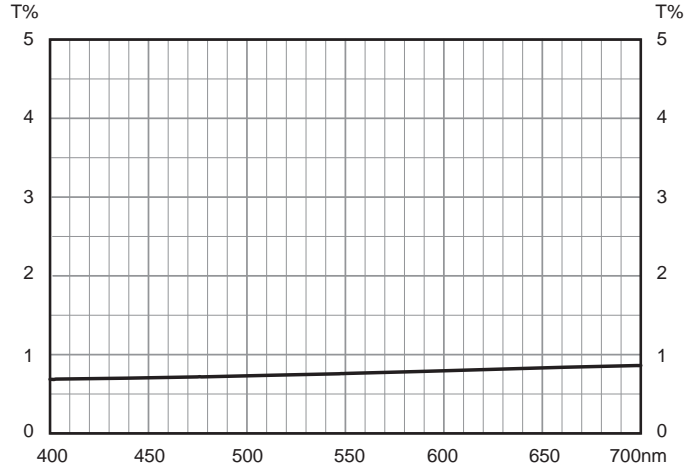
Neutral Density Filter

This line is a reflective type of neutral density (ND) filter which is used to control light intensity. Coated chromel layer attenuates the light by mainly reflecting and partially absorbing. Our ND filters are designed to keep spectrally even performance in VIS range. We have 6 kinds of attenuation rate.



Item Number	Transmittance (%)	Wavelength (nm)	Dimension (mm)	Substrate	Thickness (mm)
XND0001 ZND0001	1	400 - 700	25 diameter 50 x 50	Fused Silica	1
XND0003 ZND0003	3	400 - 700	25 diameter 50 x 50	Fused Silica	1
XND0006 ZND0006	6	400 - 700	25 diameter 50 x 50	Fused Silica	1
XND0012 ZND0012	12	400 - 700	25 diameter 50 x 50	Fused Silica	1
XND0025 ZND0025	25	400 - 700	25 diameter 50 x 50	Fused Silica	1
XND0050 ZND0050	50	400 - 700	25 diameter 50 x 50	Fused Silica	1

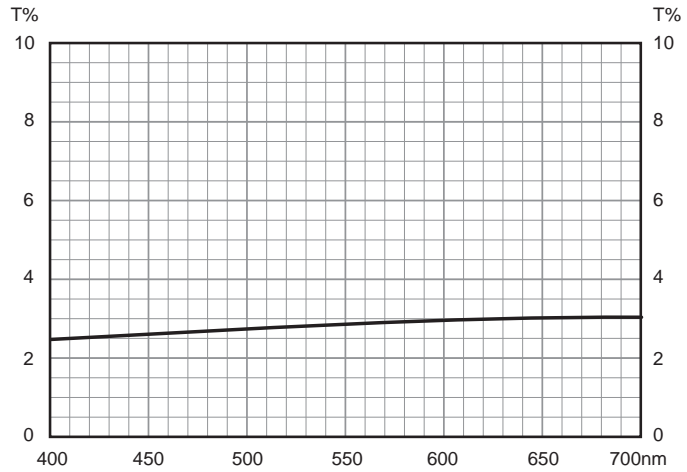
XND0001
ZND0001



Shortpass

Longpass

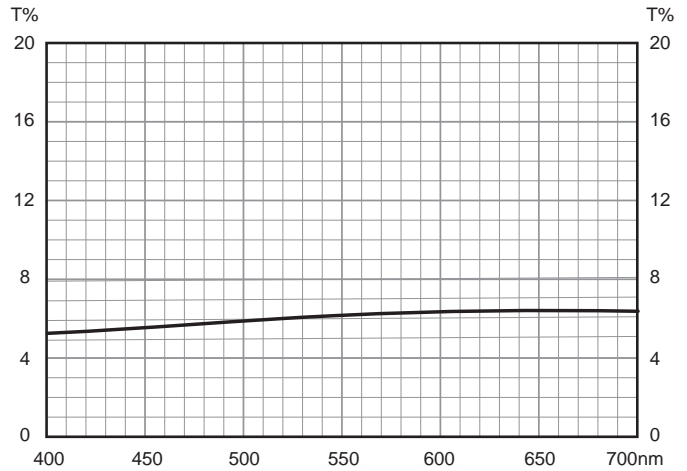
XND0003
ZND0003



Bandpass

Neutral Density

XND0006
ZND0006



Mercury Line Emission

Super Cold

Others

Shortpass

Longpass

Bandpass

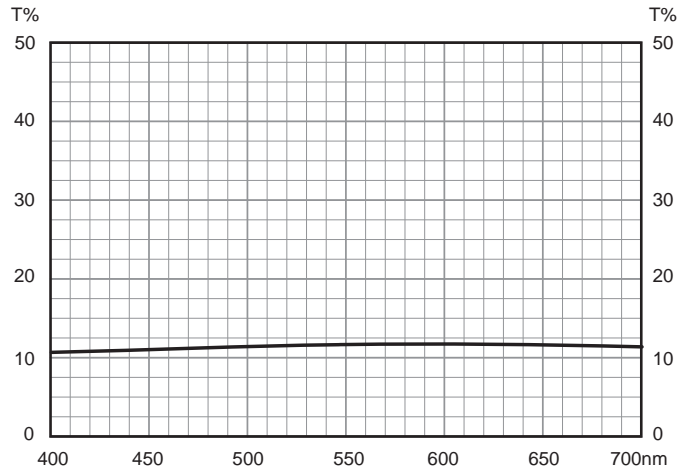
Neutral Density

Mercury Line Emission

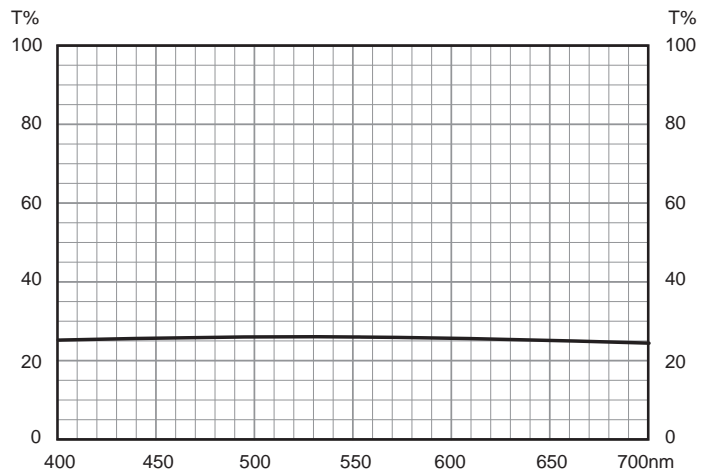
Super Cold

Others

XND0012
ZND0012



XND0025
ZND0025



XND0050
ZND0050

